

Wave Plus

Industrial magnifier with 3D feature

LUXO



Wave Plus is a great magnifier for industrial applications. It is the only magnifier to offer both shadow-free magnification with light coming from both sides, as well as three-dimensional magnification with light coming from the left or right. The 3D-feature is especially welcome when working with circuit boards or similar delicate objects. With its rectangular lens, Wave Plus is also suitable for reading purposes.

Excellent viewing conditions

By illuminating from one side only, depth perception is increased and positioning of the objects are made easier. The large rectangular lens, 175 x 108 mm, permits comfortable viewing with both eyes. The slim edge in front of the lens ensures that eye contact with the object viewed is not lost when switching from magnification to normal viewing and back again. The neck joint between the head and arm moves in three planes: horizontally, vertically and laterally making exact positioning easy.

Standard version with 3.5 diopter lens and table clamp.

Additional magnification

For additional magnification, secondary lenses can be attached. A 10 diopter swing-away lens is also available. It clamps onto the head and swings into action when needed.

A cloth cover is provided to protect the lens from dust and prevent the luminaire from inadvertently turn into a burning glass.

Colours: White, black or grey.

About magnification

Follow this link to read more about the principles of magnification, and how a Luxo magnifier can make a difference for people in many different fields of life.

• [Luxo illuminated magnifiers](#)

Wave Plus



TECHNICAL DESCRIPTION

LIGHT SOURCE

Supplied with 2 x TC-S 7 W. Individual power on/off.

BALLAST

Magnetic ballast.

BODY MATERIAL & COLOUR

Steel arm and plastic shade. Colours: white or light grey

MOUNTING

Standard with table clamp (AH clamp). Other table clamps, integrated table mounts and trolley are available on request.

OPTICS

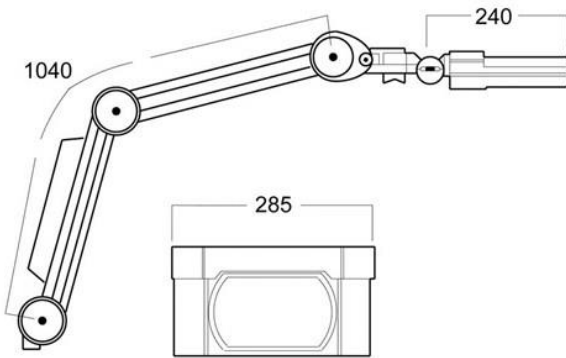
Standard with 3.5 diopter crown glass lens. Lens dimensions are 175 x 108 mm. A 10 diopter swing-away lens are available on request. Aluminium reflector.

ARM TECHNOLOGY & MOVEMENT

Parallel, three-pivot arm. Arm length is 105 cm.

Wave Plus

MEASUREMENT DRAWINGS



Wave Plus

GALLERY



Wave Plus



Wave Plus