

OPTIONAL ACCESSORIES

UNIVERSAL BOOM STANDS / LARGE GLIDING STAGES

Model DSZ-44P-S

DSZ MICROSCOPE 10x-44x with holder (without stand)

Model DSZ-44PF-S

Same as DSZ-44P-S, but with built-in ring fluorescent light

Model DSZ-44PG-S

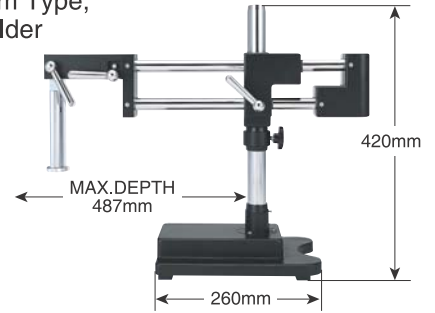
Same as DSZ-44P-S, but with built-in LED ring light

Model DBS-2

Same as DBS-1, but with ball bearings for smooth horizontal movement

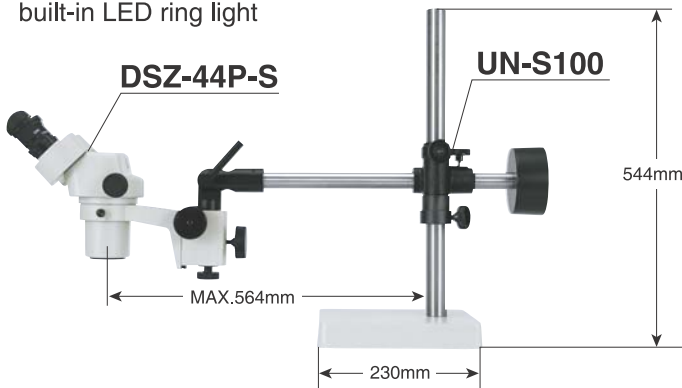
Model DBS-1

UNIVERSAL BOOM STAND
Double Arm Type, without holder



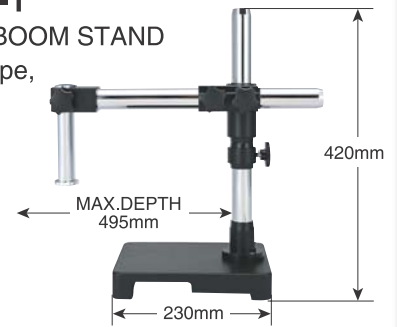
Model UN-S100

UNIVERSAL BOOM STAND
Single Arm Type, without holder



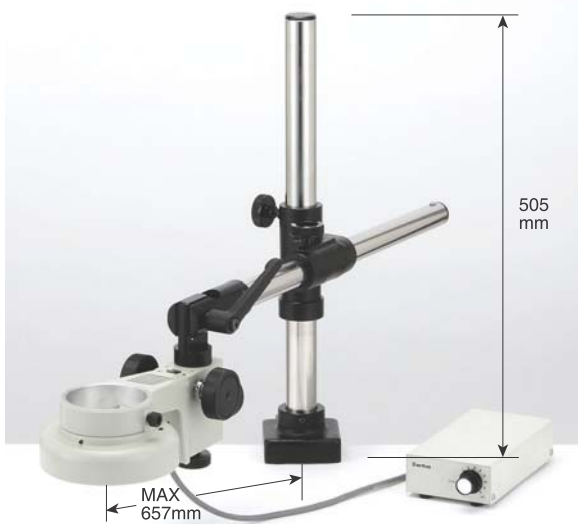
Model SBS-1

UNIVERSAL BOOM STAND
Single Arm Type, without holder



Model UN-S200

UNIVERSAL BOOM STAND
Desk Clamp Type, without holder

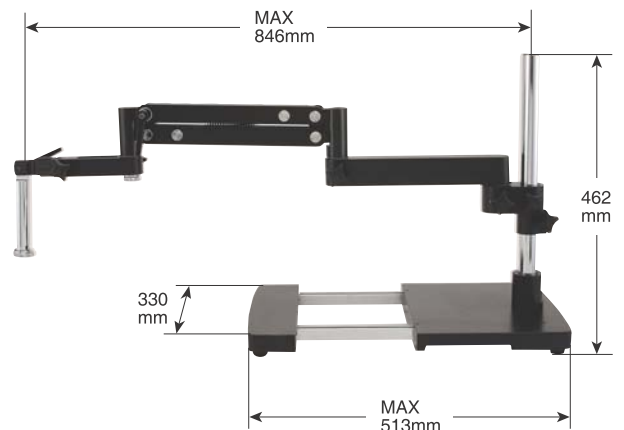


Model V-7C

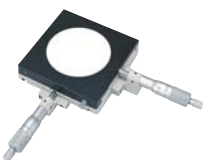
UNIVERSAL BOOM STAND
Articulated Arm Type, without holder

Model V-7DC

Same as V-7C, but with desk clamp instead of base



GLIDING STAGES



Model M300-C

GLIDING STAGE with attachments for micrometers MITUTOYO No.150-192(MHN1-25)
Size : 114mmx114mm
Range of movement : 25mmx25mm



Model M300-R

ROTATABLE GLIDING STAGE
Size : 135mm
Range of movement : 25mmx25mm

* Remarks : Micrometer is not included.